

Features:

- Lockable battery isolator switch
- Stainless galvanized zinc plates with strong corrosion resistance
- Vibration isolators between the engine/alternator and base frame
- Integrated wiring design
- Base fuel tank for at least 8 hours running
- Equipped with an industrial muffler
- Engine oil pump
- Equipped with 50°C radiator
- Top lifting and steel base frame with forklift holes
- Drainage for fuel tank
- Complete protection functions and safety labels
- IP54 (soundproof sets), IP56 (control system)
- Water jacket preheater, oil heater and double air cleaner, etc. are available.



Output Ratings

Genset Model	Prime		Standby	
	KVA	KW	KVA	KW
C-55/S	50	40	55	44

3-phase ratings at 0.8 power factor.

1-phase ratings at 1.0 power factor.

Genset Ratings and Performance

Open type	C-55	
Silent type (Soundproof)	C-55S	
Engine Make & Model:	4BTA3.9-G2	
Alternator Model:	JET184J	
Alternator Brand:	JET POWER	
Control System:	HGM6120	
Noise Level@7m:	65—75db	
Frequency & Phase:	60Hz & 0.8PH	
Engine Speed: RPM	1800	
Fuel Tank Capacity: L	Open	100
	Silent	100
Fuel Consumption: l/hr (100% Load)	Prime	13
	Standby	14.3

Also available in the following voltages: 415/240V-380/220V-

220/127V-200/115V; or other optional voltage;

ESP: Standby Power Standby duty, operation under variable load, without over load;

PRP: Prime Power-Continuous duty operation, under variable load 24/24h-10% over load permissible 1 hour/12 hours;

The data is only for your reference but not for use of sales.

M: Mechanical speed governor, **E/ECU:** Electronic speed governor;

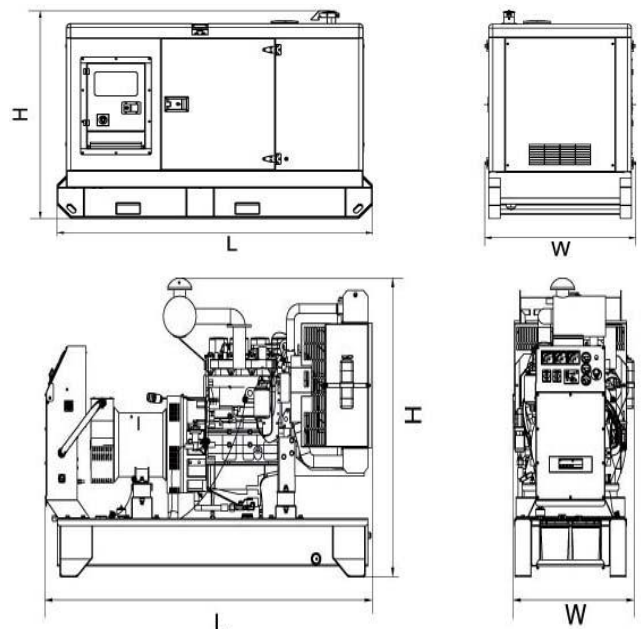
NA: Naturally aspirated, **TC:** Turbocharged, **TCA:** Turbocharged and air-air aftercooled. **TCW:** Water-cooled Turbocharged;

Dimensions and Weights:

Genset Model	Length (L) mm	Width (W) mm	Height (H) mm	Dry Weight (kg)
C-55	1900	800	1250	880
C-55S	2350	1000	1350	1330

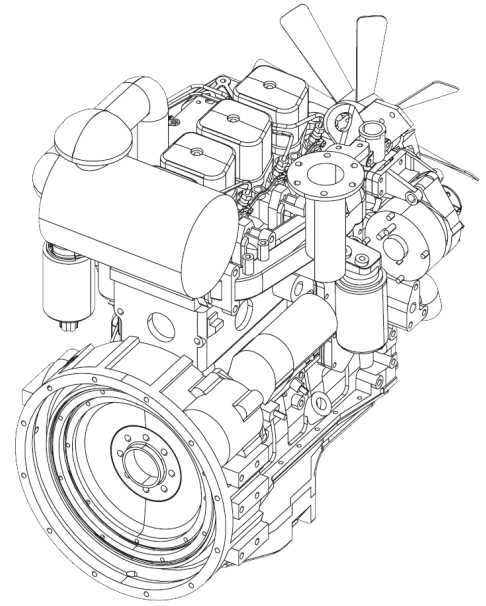
Dry = With Lube Oil Wet = With Lube Oil and Coolant

The weights are approximate and without fuel, only for your reference

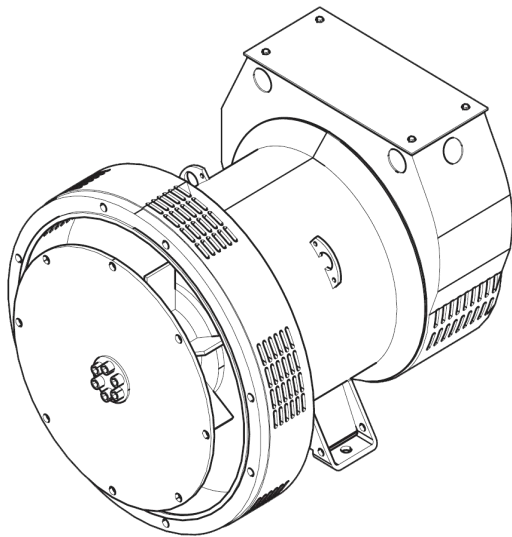


Engine specification:

Engine Manufacturer/Brand	CUMMINS
Model	4BTA3.9-G2
Continuous Power (KW)	60
Standby Power (KW)	66
Number of Cylinders	4
Engine type	In-Line 4 Cycle, Water Cooled
Aspiration	Naturally Aspirated
Rotating speed	1500rpm / 1800rpm
Engine cooling system	Water cooled
Speed governing system	Electronic
Starting method	24V DC
Displacement (L)	3.9
Type of Fuel	Diesel
Fuel Consumption(100%load)	13 L/h
Bore×Stroke(mm)	102 x 120
Compression ratio	17.3 : 1
Lube capacity (L)	10.9
Type of Oil	15W40-CF4



Alternator specification:



Alternator technology	STAMFORD
Alternator model	JET184J
Alternator prime power (KW)	40
Alternator prime power (KVA)	50
Voltage V (optional)	120/230/240/380/400/440/480
Alternator frequency (Hz)	50/60
Exciter	Brushless with AVR
Cooling fan	Cast alloy aluminum
Windings	100% copper
Insulation class	H Class
Winding pitch	2/3
Connect terminals	12
Drip proof	IP23
Altitude	≤ 1000m
Overspeed	2250 RPM
Voltage regulation	±1.0%
Total harmonic	TGH / THCat no load < 1.5 % - on load < 5%
Telephone Interference	THF<2%;TIF<50

Control System HGM-6120 (Optional)

HGM-6120 is an advanced control module based on micro-processor, containing all necessary functions for protection of the genset and the breaker control. It can monitor the mains supply, breaker control and automatically start the engine when the mains is abnormal. Accurately measure various operational parameters and display all values and alarms information on the LCD. In addition, the control module can automatically shut down the engine and indicate the engine failure.



FEATURES

- Microprocessor control, with high stability and credibility
- Monitoring and measuring operational parameters of the mains supply and genset
- Indicating operation status, fault conditions, all parameters and alarms
- Multiple protections; multiple parameters display, like pressure, temp. etc.
- Manual, automatic and remote work mode selectable
- Real time clock for time and date display, overall runtime display, 250 log entries
- Overall power output display
- Integral speed/frequency detecting, telling status of start, rated operation, overspeed etc.
- Communication with PC via RS485 OR RS232 interface, using MODBUS protocol
- HGM-6120 include HGM-6110 model function

- ◆ 132×64 LCD display with backlight, optional language interface (Chinese, English, Spanish and Russian), push-button operation;
- ◆ Acrylic screen, improved wearable and scratch resistance property;
- ◆ Silica-gel panel and keys can well adapt to higher and lower temperature;
- ◆ With RS485 communication port, can achieve “three remote” functions via MODBUS protocol;
- ◆ Adapt to 3P4W, 3P3W, 1P2W and 2P3W (120V/240V), 50Hz/60Hz AC power system;
- ◆ Can measure and display 3 phase voltage, 3 phase current, frequency, power parameter of mains/gens;
- ◆ Mains have functions of over/under voltage and lack of phase; Gens have functions of over/under voltage, over/under frequency and over current;
- ◆ Precision measure and display of parameters about engine;
- ◆ Control protection: Automatic start/stop of genset, load transfer(ATS control) and perfect failure display and protection;
- ◆ With ETS, idle speed control, pre-heat control, speed droop/raising control, all of them are relay output;
- ◆ Parameter setting: Allow user to modify setting and store them in internal FLASH memory. The parameters cannot be lost even when power off. All of parameters can be set not only from the front panel, but also use programmable interface (or PS485 interface) to adjust them via PC.
- ◆ Multi sensors of temperature, pressure and fuel level can be used directly, parameters can be defined by user;
- ◆ Multi conditions of crank disconnect (speed sensor, oil pressure, generator) can be selected;
- ◆ Power supply range: (8~35)VDC, accommodating to different starting battery volts;
- ◆ All parameters use digital modulation, instead of analog modulation using conventional potentiometer, having improved reliability and stability;
- ◆ Add rubber gasket between shell and controller screen, the waterproof can reach IP55;
- ◆ Controller is fixed by metal fixing clips;
- ◆ Modular design, flame-retardant ABS shell, embedded mounting, compact structure and easy installation.